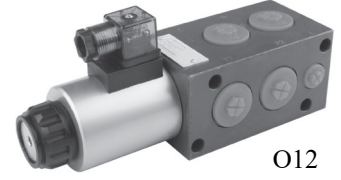
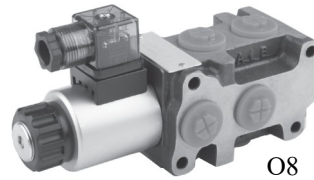


Features

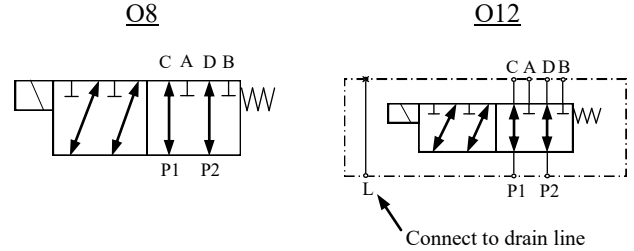
- Diverter valves re-direct flow from one set of actuators to another.
- Ensure only one actuator can operate at any one time.
- Solenoid Operated spool valve
- Compact, durable and reliable
- Cast Iron, phosphate surface



Ordering Details

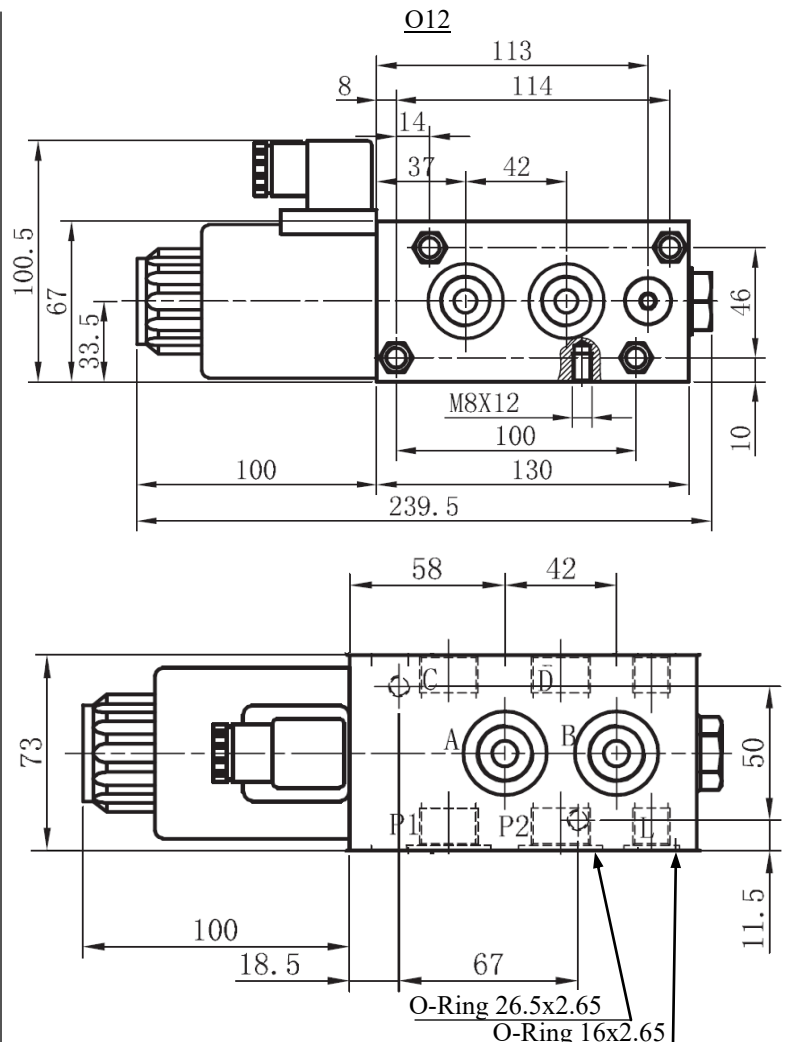
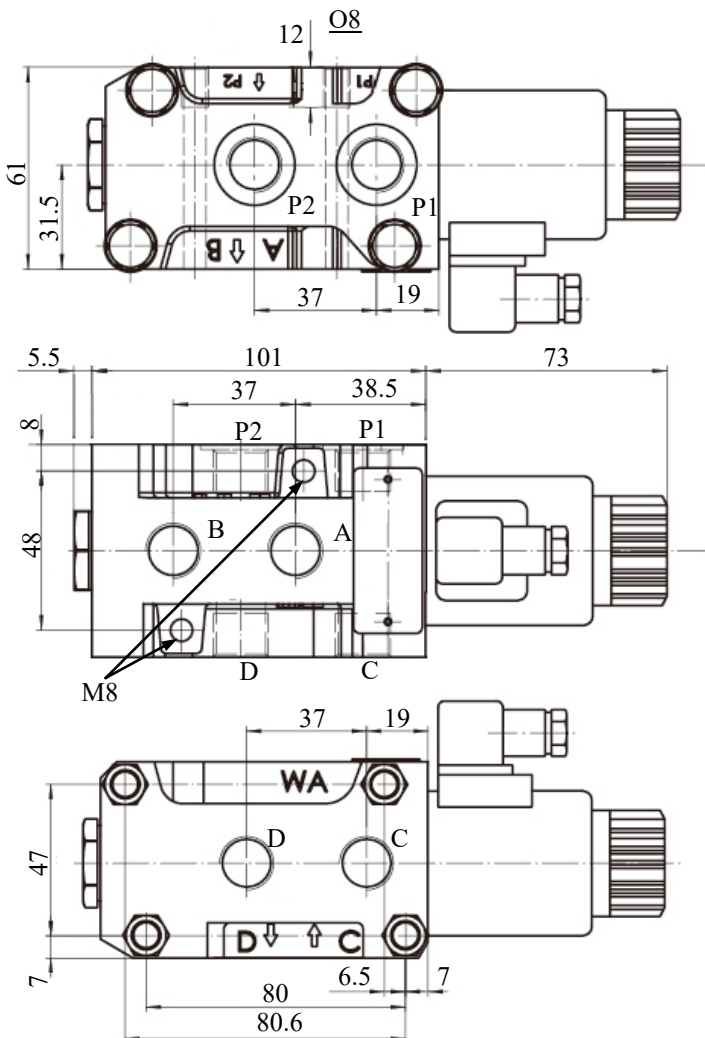
V	Valve	SAE O-Ring Boss Thread Size	Code
I	Inline connection		
DV-	Diverter Valve	-8, 3/4-16	O8
O8-	Port Size	-12, 1 1/16-12	O12
12	Actuator: 12 = 12VDC		
D-	Connector Type: D = DIN 43650 Form A		
1	Series		

Circuit



Example Part Number: VIDV-O8-12D-1

Dimensions and Technical data



Size	Max. Flow lpm (gpm)	Max. Pressure, bar (psi)	Oil Cleanliness
O8	50(13)	250 (3625)	NAS 1638 Class 9 Iso4406 class 20/18/15
O12	80 (21)		